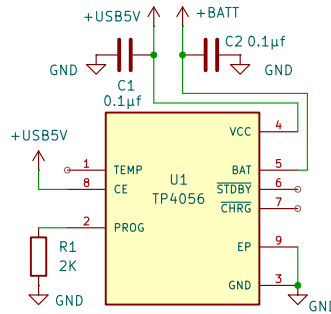
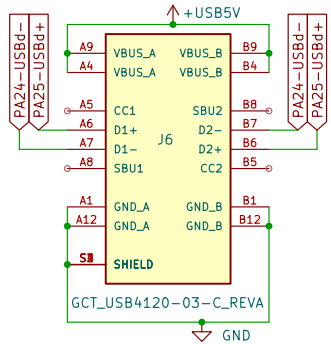
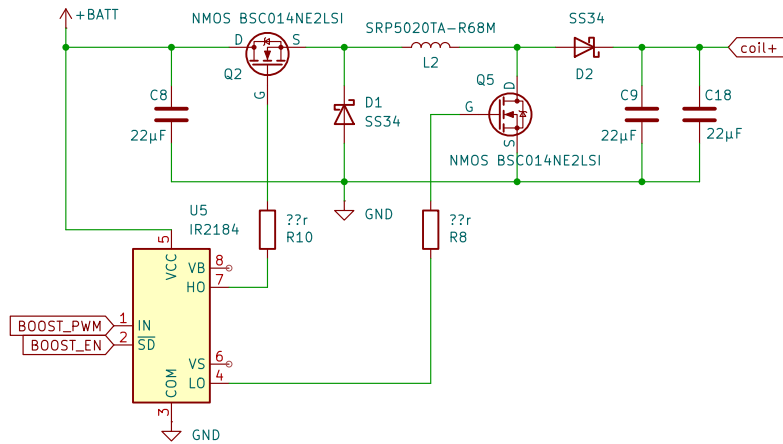


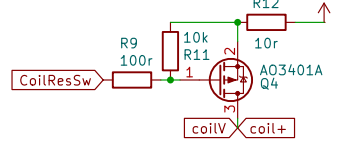
battery charging



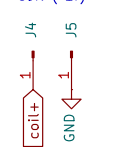
buck-boost converter (20W)



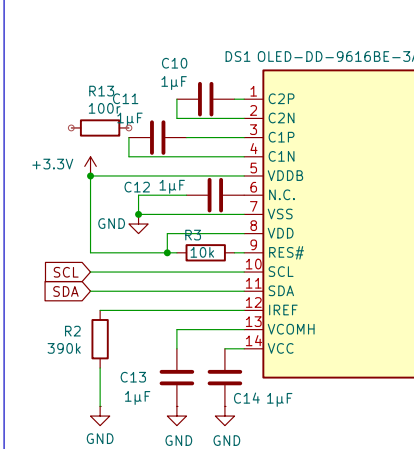
coil res measure



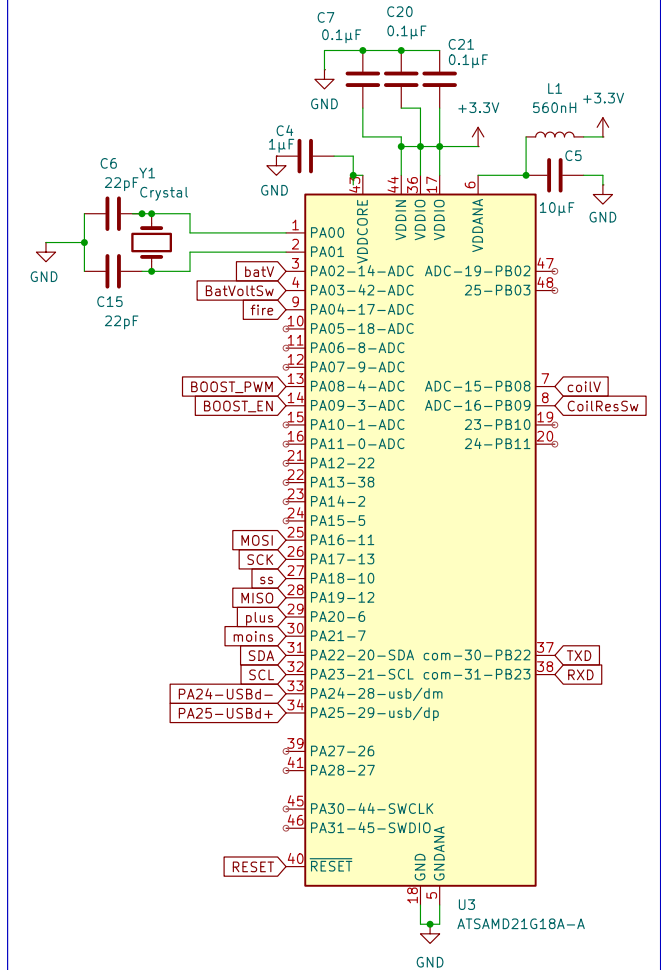
coil (-1r)



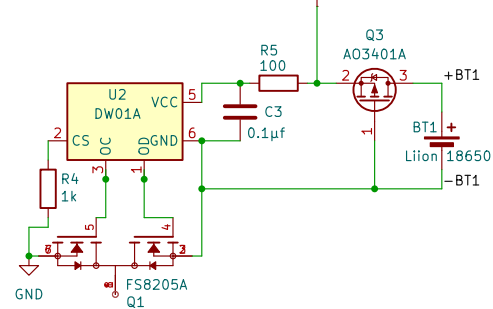
display



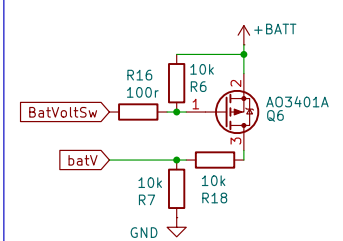
atsamd21g18



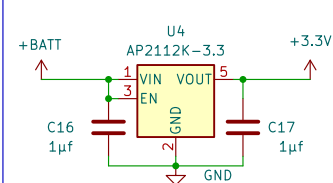
battery + protection



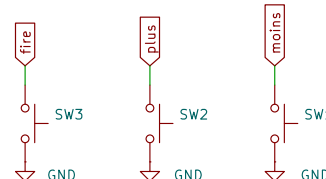
battery voltage measure



Regulateur 3V3



fire button + button - button



Sheet: /  
File: boxmod.kicad\_sch

**Title: VBox**

Size: A4 Date: 2024-12-24  
KiCad E.D.A. 8.0.8

Rev: 0.2  
Id: 1/1