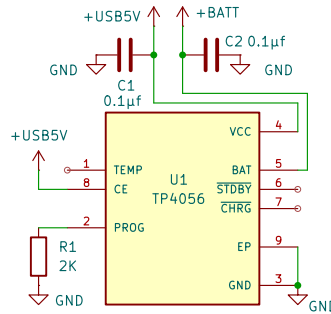
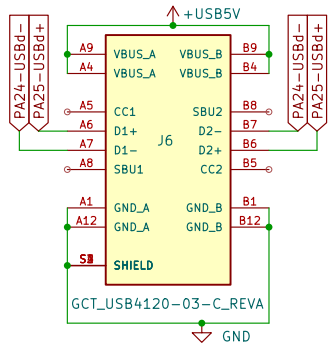
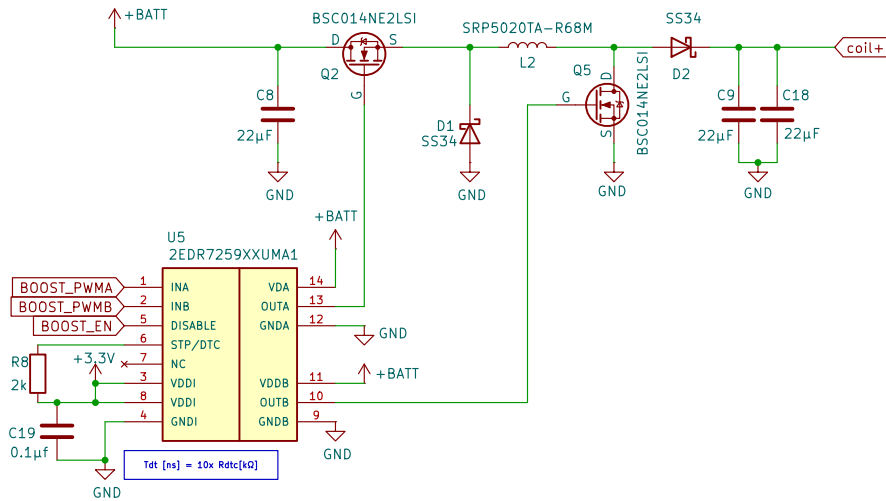


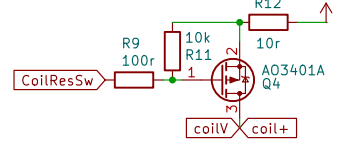
battery charging



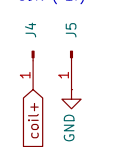
buck-boost converter (25W)



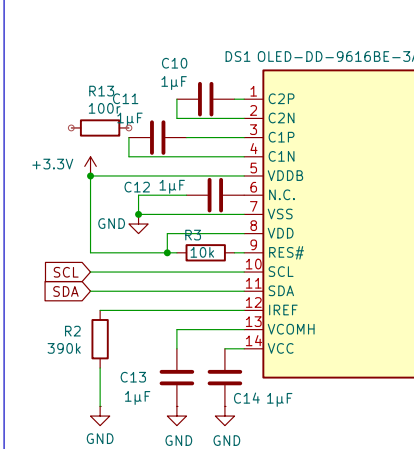
coil res measure



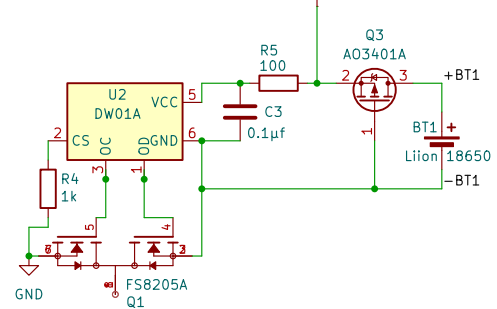
coil (-1r)



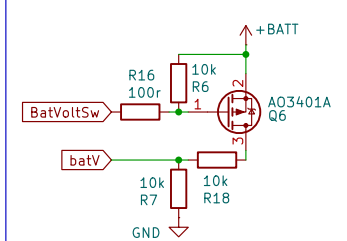
display



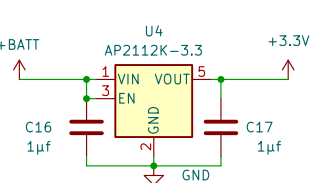
battery + protection



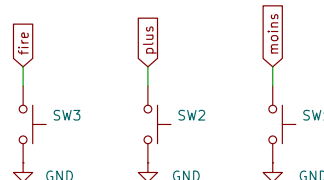
battery voltage measure



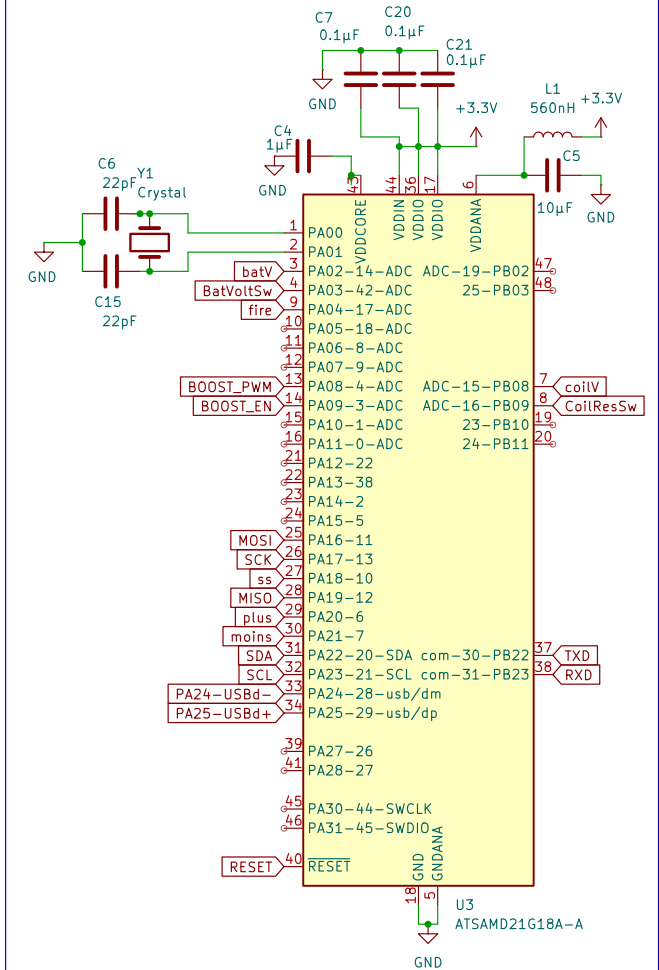
Regulateur 3V3



fire button + button - button



atsamd21g18



Sheet: /

File: boxmod.kicad_sch

Title: VBox

Size: A4

Date: 2024-12-24

Rev: 0.2

KiCad E.D.A. 8.0.8

Id: 1/1