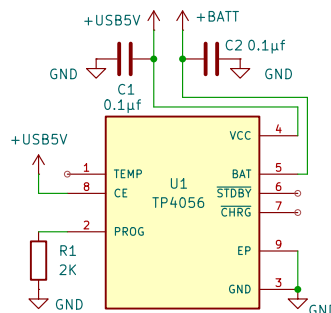
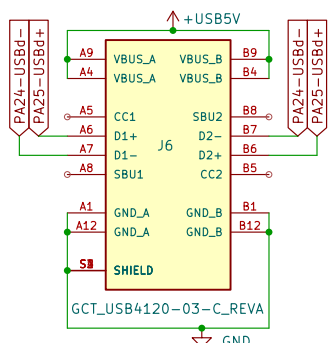
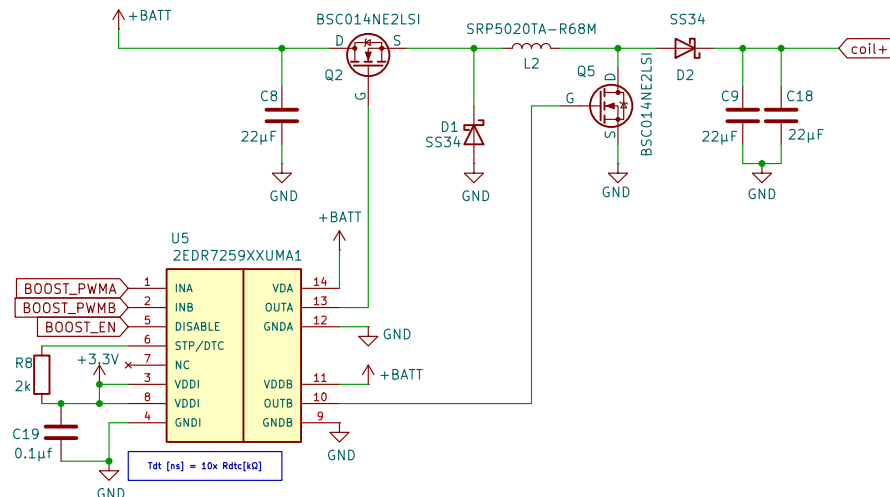


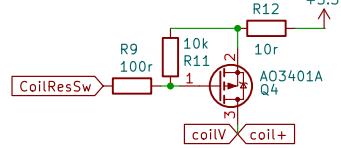
battery charging



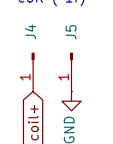
buck-boost converter (25W)



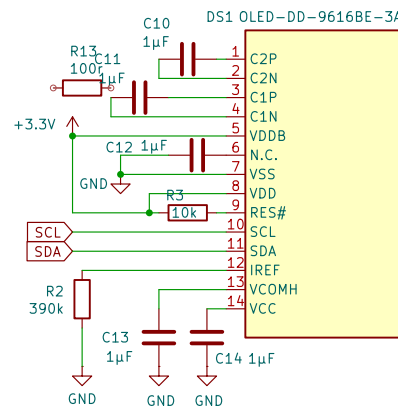
coil res measure



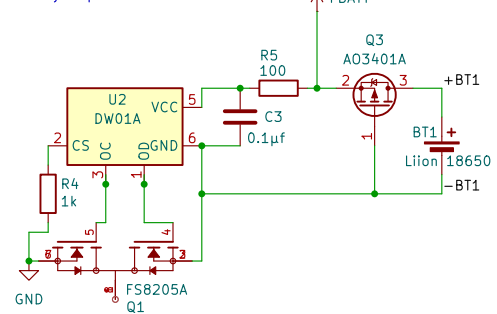
coil (-1r)



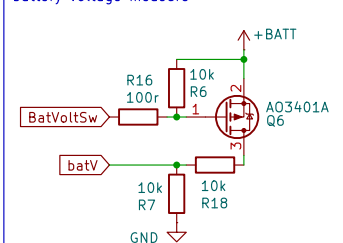
display



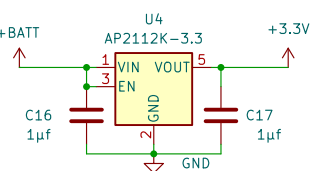
battery + protection



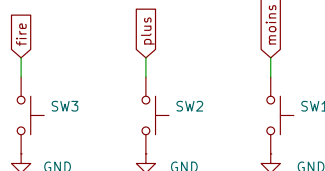
battery voltage measure



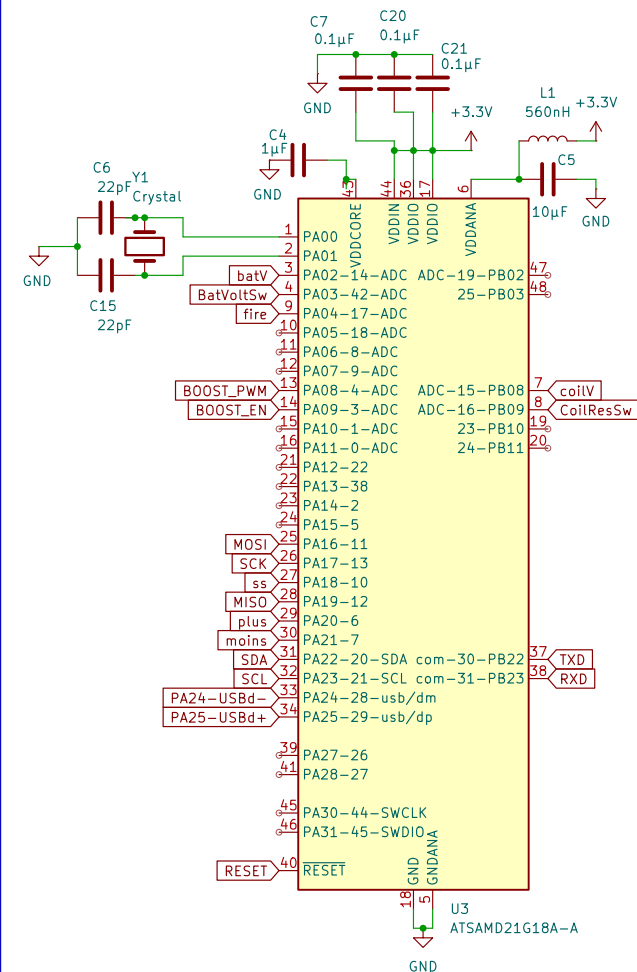
Regulateur 3V3



fire button + button - button



atsamd21g18



Sheet: /
File: boxmod.kicad_sch

Title: VBox

Size: A4 Date: 2024-12-24
KiCad E.D.A. 8.0.8

Rev: 0.2
Id: 1/1