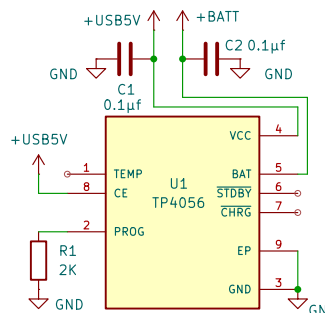
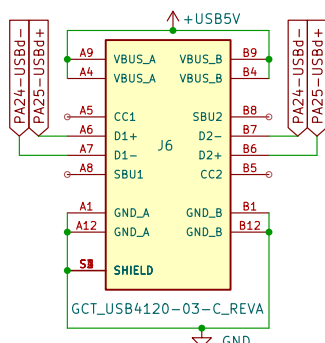
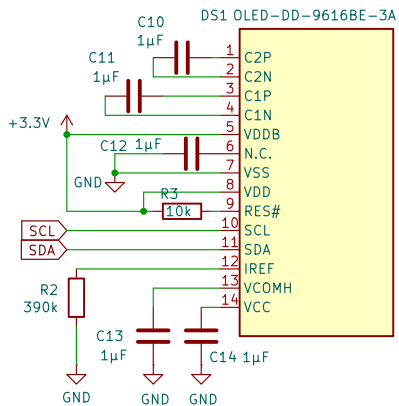


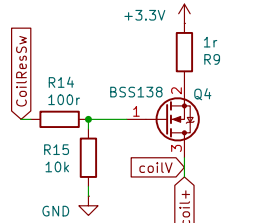
battery charging



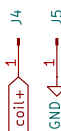
display



coil res measure



coil (1ohm)



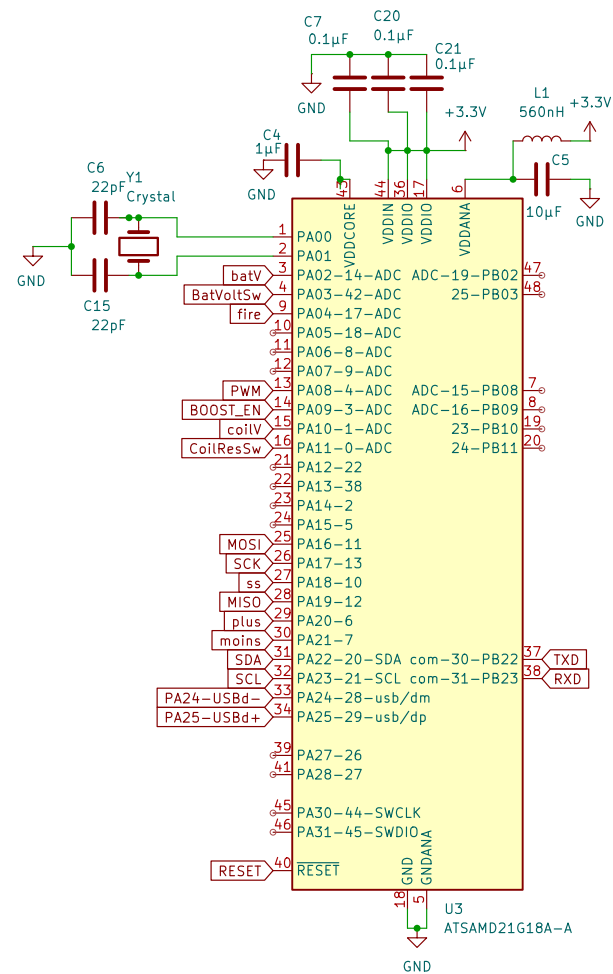
load (to the coil)

PWM

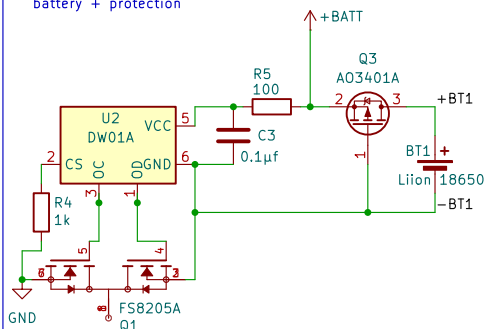
BOOST\_EN

coil+

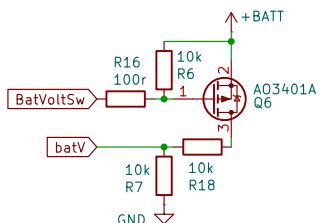
atsamd21g18



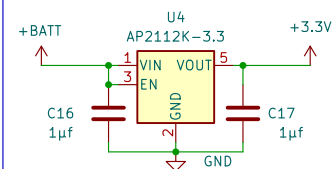
battery + protection



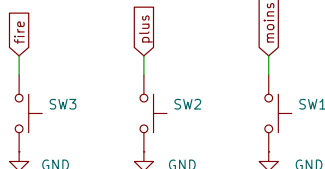
battery voltage measure



Regulateur 3V3



fire button + button - button



Sheet: /  
File: boxmod.kicad\_sch

**Title: VBox**

Size: A4 Date: 2024-12-24

KiCad E.D.A. 8.0.8

Rev: 0.2

Id: 1/1